



To: Sarah Oman  
From: Team F7  
Date: 03-18-2018  
Subject: Hard review 2 Summary

---

For hardware review 2, we discuss the materials that we have to finish and what we are suppose to do until the final project proof. Each team member mentioned the work done individually. From the hard review 1, take Dr.Oman seriously to got the best work that we can. Mobarak alsubiee finished the CAD design and sent it to the professor Sarah to get prove to start working on the wooden booth. Abdullah Howaishel finished his part that is building the slingshot. He finished the slingshot and now he is working on the aesthetics things. On the meetings we discuss that everyone has to finish the work and working more to finish it on time, and get the best quality that we could. We discuss that the website has to be improved to reach the professor aspirations. In the end of the meeting we decided that anyone needs help on any part he has to ask for help and we assume that the 4<sup>th</sup> of April is the final day for everyone to submit his parts to start the testing procedures and finish it before the deadline.

**List of action will be done until the Final Product Testing Proof:**

**Abdullah Alzafiri:**

- 1- Finish working on the wood booth
- 2- Recording meeting munities

**Abdullah Howaishel:**

- 1- Finish working on the slingshot manufacturing.
- 2- Finish the report.
- 3- Setting up meeting with the client and the Professor to check the work done.



- 4- Finish the aesthetics parts on the slingshot.
- 5- Helping the other group mates to fulfill their part faster.

**Dhary Aldhefeeri:**

- 1- Ordering all the materials that the project needs.
- 2- Helping Abdullah Alzafiri with the wood booth

**Fahad alotaibi:**

- 1- Working on the website

**Mobarak Alsubiee:**

- 1- Working on the CAD

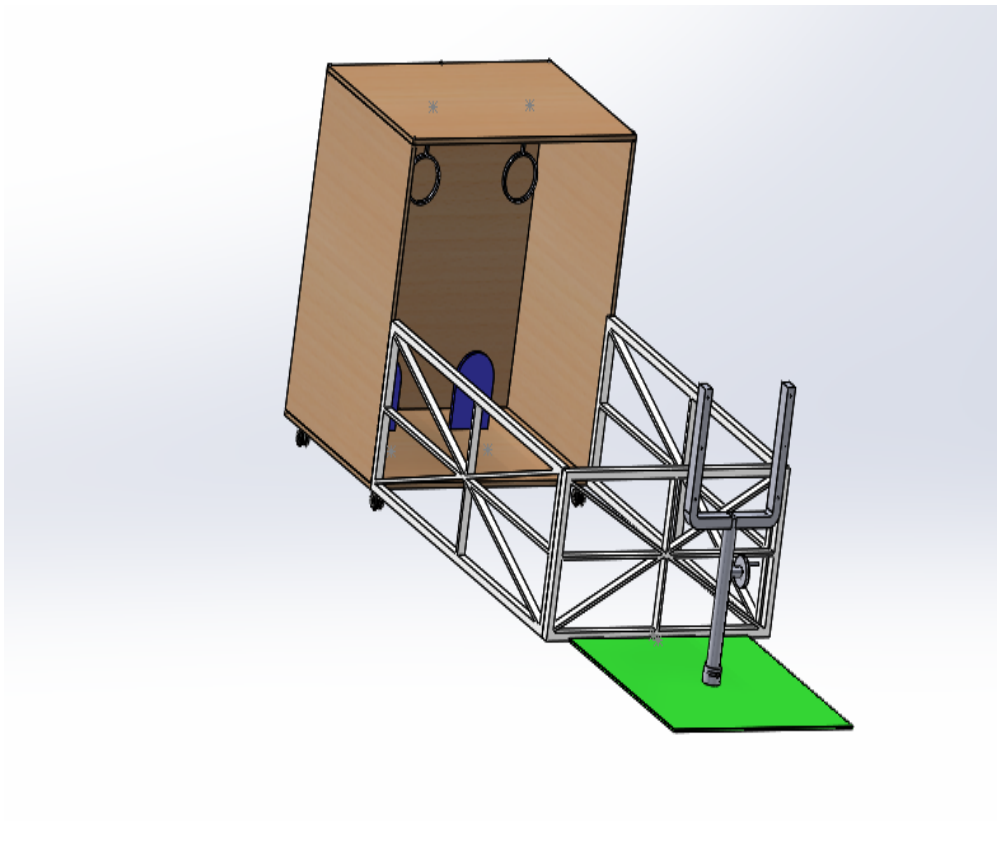


Figure 1: CAD